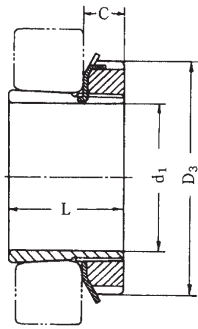


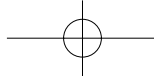
Adapter Sleeves With Lock Nuts and Lock Washer



H 200 / HE 200 Series HS 200 / HA 200 Series

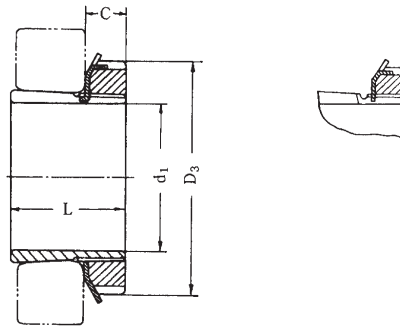
Adapter Sleeves

| Adapter Sleeve Number | | | | Dimensions | | | | | | | Weight (kg) |
|-----------------------|--------|--------|--------|----------------|----------------|----------------|------------------|------|-------------------|------|-------------|
| | | | | d ₁ | | | | L mm | D ₃ mm | C mm | |
| H | HE | HS | HA | H mm | HEin | HSin | HAin | | | | |
| H 205 | HE 205 | – | – | 20 | $\frac{3}{4}$ | – | – | 26 | 38 | 8 | 0.070 |
| H 206 | 06 | – | HA 206 | 25 | 1 | – | $\frac{15}{16}$ | 27 | 45 | 8 | 0.099 |
| H 207 | – | HS 207 | 07 | 30 | – | $1\frac{1}{8}$ | $1\frac{3}{16}$ | 29 | 52 | 9 | 0.125 |
| H 208 | HE 208 | HS 208 | – | 35 | $1\frac{1}{4}$ | $1\frac{3}{8}$ | – | 31 | 58 | 10 | 0.174 |
| H 209 | 09 | 09 | HA 209 | 40 | $1\frac{1}{2}$ | $1\frac{5}{8}$ | $1\frac{7}{16}$ | 33 | 65 | 11 | 0.226 |
| H 210 | 10 | – | 10 | 45 | $1\frac{3}{4}$ | – | $1\frac{11}{16}$ | 35 | 70 | 12 | 0.274 |
| H 211 | HE 211 | HS 211 | HA 211 | 50 | 2 | $1\frac{7}{8}$ | $1\frac{15}{16}$ | 37 | 75 | 12 | 0.308 |
| H 212 | – | 12 | – | 55 | – | $2\frac{1}{8}$ | – | 38 | 80 | 13 | 0.346 |
| H 213 | 13 | 13 | 13 | 60 | $2\frac{1}{4}$ | $2\frac{3}{8}$ | $2\frac{3}{16}$ | 40 | 85 | 14 | 0.401 |
| H 214 | – | – | – | 60 | – | – | – | 41 | 92 | 14 | 0.550 |
| H 215 | HE 215 | HS 215 | HA 215 | 65 | $2\frac{1}{2}$ | $2\frac{5}{8}$ | $2\frac{7}{16}$ | 43 | 98 | 15 | 0.708 |
| H 216 | 16 | – | 16 | 70 | $2\frac{3}{4}$ | – | $2\frac{11}{16}$ | 46 | 105 | 17 | 0.881 |
| H 217 | HE 217 | HE 217 | HE 217 | 75 | 3 | $2\frac{7}{8}$ | $2\frac{15}{16}$ | 50 | 110 | 18 | 1.02 |
| H 218 | – | 18 | – | 80 | – | $3\frac{1}{8}$ | – | 52 | 120 | 18 | 1.18 |
| H 219 | 19 | – | – | 85 | $3\frac{1}{4}$ | – | – | 55 | 125 | 19 | 1.37 |
| H 220 | HE 220 | – | – | 90 | $3\frac{1}{2}$ | – | – | 58 | 130 | 20 | 1.49 |
| H 221 | – | – | – | 95 | – | – | – | 60 | 140 | 20 | 1.70 |
| H 222 | 22 | – | – | 100 | 4 | – | – | 63 | 145 | 21 | 1.93 |



FBJ®

**H 300 / HE 300 Series
HS 300 / HA 300 Series**

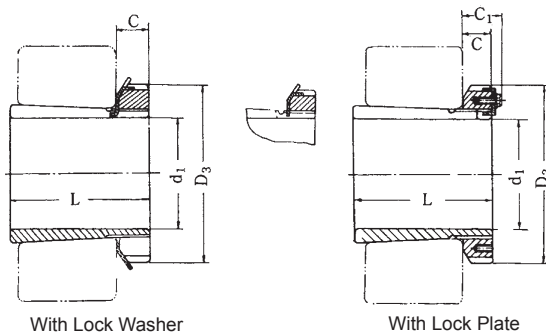


Adapter Sleeves

| Adapter Sleeve Number | | | | Dimensions | | | | | | | Weight (kg) |
|-----------------------|--------|--------|--------|----------------|----------------|----------------|------------------|------|-------------------|------|-------------|
| | | | | d ₁ | | | | L mm | D ₃ mm | C mm | |
| H | HE | HS | HA | H mm | HEin | HSin | HAin | | | | |
| H 305 | HE 305 | - | - | 20 | $\frac{3}{4}$ | - | - | 29 | 38 | 8 | 0.075 |
| H 306 | 06 | - | HA 306 | 25 | 1 | - | $\frac{15}{16}$ | 31 | 45 | 8 | 0.109 |
| H 307 | - | HS 307 | 07 | 30 | - | $1\frac{1}{8}$ | $1\frac{3}{16}$ | 35 | 52 | 9 | 0.142 |
| H 308 | HE 308 | HS 308 | - | 35 | $1\frac{1}{4}$ | $1\frac{3}{8}$ | - | 36 | 58 | 10 | 0.189 |
| H 309 | 09 | 09 | HA 309 | 40 | $1\frac{1}{2}$ | $1\frac{5}{8}$ | $1\frac{7}{16}$ | 39 | 65 | 11 | 0.248 |
| H 310 | 10 | - | 10 | 45 | $1\frac{3}{4}$ | - | $1\frac{11}{16}$ | 42 | 70 | 12 | 0.302 |
| H 311 | HE 311 | HS 311 | HA 311 | 50 | 2 | $1\frac{7}{8}$ | $1\frac{15}{16}$ | 45 | 75 | 12 | 0.345 |
| H 312 | - | 12 | - | 55 | - | $2\frac{1}{8}$ | - | 47 | 80 | 13 | 0.393 |
| H 313 | 13 | 13 | 13 | 60 | $2\frac{1}{4}$ | $2\frac{3}{8}$ | $2\frac{3}{16}$ | 50 | 85 | 14 | 0.459 |
| H 314 | - | - | - | 60 | - | - | - | 52 | 92 | 14 | 0.723 |
| H 315 | HE 315 | HS 315 | HA 315 | 65 | $2\frac{1}{2}$ | $2\frac{5}{8}$ | $2\frac{7}{16}$ | 55 | 98 | 15 | 0.830 |
| H 316 | 16 | - | 16 | 70 | $2\frac{3}{4}$ | - | $2\frac{11}{16}$ | 59 | 105 | 17 | 1.03 |
| H 317 | HE 317 | HE 317 | HE 317 | 75 | 3 | $2\frac{7}{8}$ | $2\frac{15}{16}$ | 63 | 110 | 18 | 1.18 |
| H 318 | - | 18 | - | 80 | - | $3\frac{1}{8}$ | - | 65 | 120 | 18 | 1.37 |
| H 319 | 19 | - | - | 85 | $3\frac{1}{4}$ | - | - | 68 | 125 | 19 | 1.56 |
| H 320 | HE 320 | - | - | 90 | $3\frac{1}{2}$ | - | - | 71 | 130 | 20 | 1.69 |
| H 321 | - | - | - | 95 | - | - | - | 74 | 140 | 20 | 1.93 |
| H 322 | 22 | - | - | 100 | 4 | - | - | 77 | 145 | 21 | 2.18 |

Adapter Sleeves

Adapter Sleeves



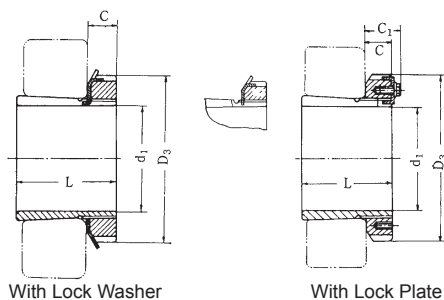
H 2300 / HE 2300 Series HS 2300 / HA 2300 Series

Adapter Sleeves

| Adapter Sleeve Number | | | | Dimensions | | | | | | | | Weight (kg) |
|-----------------------|---------|---------|---------|----------------|-------|-------|---------|------|-------------------|------|-------------------|-------------|
| | | | | d ₁ | | | | L mm | D ₃ mm | C mm | C ₁ mm | |
| H | HE | HS | HA | H mm | HEin | HSin | HAin | | | | | |
| H 2305 | HE 2305 | - | - | 20 | 3/4 | - | - | 35 | 38 | 8 | - | 0.087 |
| H 2306 | 06 | - | HA 2306 | 25 | 1 | - | 15/16 | 38 | 45 | 8 | - | 0.126 |
| H 2307 | - | HS 2307 | 07 | 30 | - | 1 1/8 | 1 3/16 | 43 | 52 | 9 | - | 0.165 |
| H 2308 | HE 2308 | HS 2308 | - | 35 | 1 1/4 | 1 3/8 | - | 46 | 58 | 10 | - | 0.224 |
| H 2309 | 09 | 09 | HA 2309 | 40 | 1 1/2 | 1 5/8 | 1 7/16 | 50 | 65 | 11 | - | 0.280 |
| H 2310 | 10 | - | 10 | 45 | 1 3/4 | - | 1 11/16 | 55 | 70 | 12 | - | 0.362 |
| H 2311 | HE 2311 | HS 2311 | HA 2311 | 50 | 2 | 1 7/8 | 1 15/16 | 59 | 75 | 12 | - | 0.420 |
| H 2312 | - | 12 | - | 55 | - | 2 1/8 | - | 62 | 80 | 13 | - | 0.480 |
| H 2313 | 13 | 13 | 13 | 60 | 2 1/4 | 2 3/8 | 2 3/16 | 65 | 85 | 14 | - | 0.556 |
| H 2314 | - | - | - | 60 | - | - | - | 68 | 92 | 14 | - | 0.897 |
| H 2315 | HE 2315 | HS 2315 | HA 2315 | 65 | 2 1/2 | 2 5/8 | 2 7/16 | 73 | 98 | 15 | - | 1.05 |
| H 2316 | 16 | - | 16 | 70 | 2 3/4 | - | 2 11/16 | 78 | 105 | 17 | - | 1.28 |
| H 2317 | HE 2317 | HE 2317 | HE 2317 | 75 | 3 | 2 7/8 | 2 15/16 | 82 | 110 | 18 | - | 1.45 |
| H 2318 | - | 18 | - | 80 | - | 3 1/8 | - | 86 | 120 | 18 | - | 1.70 |
| H 2319 | 19 | - | - | 85 | 3 1/4 | - | - | 90 | 125 | 19 | - | 1.94 |
| H 2320 | HE 2320 | - | - | 90 | 3 1/2 | - | - | 97 | 130 | 20 | - | 2.15 |
| H 2322 | 22 | - | - | 100 | 4 | - | - | 105 | 145 | 21 | - | 2.74 |
| H 2324 | HE 2324 | - | - | 110 | 4 1/4 | - | - | 112 | 155 | 22 | - | 3.20 |
| H 2326 | 26 | - | - | 115 | 4 1/2 | - | - | 121 | 165 | 23 | - | 4.60 |
| H 2328 | 28 | - | - | 125 | 5 | - | - | 131 | 180 | 24 | - | 5.52 |
| H 2330 | HE 2330 | - | - | 135 | 5 1/4 | - | - | 139 | 195 | 26 | - | 6.60 |
| H 2332 | 32 | - | - | 140 | 5 1/2 | - | - | 147 | 210 | 28 | - | 9.15 |
| H 2332 | 34 | - | - | 150 | 6 | - | - | 154 | 220 | 29 | - | 10.4 |
| H 2336 | HE 2336 | - | - | 160 | 6 1/2 | - | - | 161 | 230 | 30 | - | 11.3 |
| H 2338 | 38 | - | - | 170 | 6 3/4 | - | - | 169 | 240 | 31 | - | 12.6 |
| H 2340 | 40 | - | - | 180 | 7 | - | - | 176 | 250 | 32 | - | 13.9 |
| H 2344 | - | - | - | 200 | - | - | - | 183 | 280 | 32 | 44 | 16.6 |
| H 2348 | - | - | - | 220 | - | - | - | 196 | 300 | 34 | 46 | 19.7 |
| H 2352 | - | - | - | 240 | - | - | - | 208 | 330 | 36 | 49 | 24.2 |
| H 2356 | - | - | - | 260 | - | - | - | 221 | 350 | 38 | 51 | 27.8 |

H 3000 / HE 3000 Series

Adapter Sleeves

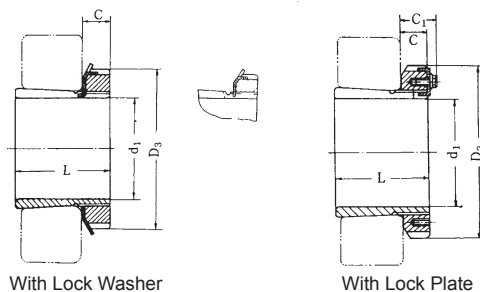


| Adapter Sleeve Number | | Dimensions | | | | | | Weight (kg) |
|-----------------------|---------|----------------|-------------------------------|------|-------------------|------|-------------------|-------------|
| | | d ₁ | | L mm | D ₃ mm | C mm | C ₁ mm | |
| H | HE | H mm | HE in | | | | | |
| H 3024 | HE 3024 | 110 | 4 ¹ / ₄ | 72 | 145 | 22 | – | 1.96 |
| H 3026 | HE 26 | 115 | 4 ¹ / ₂ | 80 | 155 | 23 | – | 2.85 |
| H 3028 | HE 28 | 125 | 5 | 82 | 165 | 24 | – | 3.18 |
| H 3030 | HE 3030 | 135 | 5 ¹ / ₄ | 87 | 180 | 26 | – | 3.90 |
| H 3032 | HE 32 | 140 | 5 ¹ / ₂ | 93 | 190 | 28 | – | 5.20 |
| H 3034 | HE 34 | 150 | 6 | 101 | 200 | 29 | – | 6.00 |
| H 3036 | HE 3036 | 160 | 6 ¹ / ₂ | 109 | 210 | 30 | – | 6.85 |
| H 3038 | 38 | 170 | 6 ³ / ₄ | 112 | 220 | 31 | – | 7.45 |
| H 3040 | 40 | 180 | 7 | 120 | 240 | 32 | – | 9.20 |
| H 3044 | – | 200 | – | 128 | 260 | 30 | 41 | 10.3 |
| H 3048 | – | 220 | – | 133 | 290 | 34 | 46 | 13.4 |
| H 3052 | – | 240 | – | 147 | 300 | 34 | 46 | 15.6 |
| H 3056 | – | 260 | – | 152 | 330 | 38 | 50 | 17.7 |
| H 3060 | – | 280 | – | 168 | 360 | 42 | 54 | 22.8 |
| H 3064 | – | 300 | – | 171 | 380 | 42 | 55 | 24.6 |
| H 3068 | – | 320 | – | 187 | 400 | 45 | 58 | 28.6 |
| H 3072 | – | 340 | – | 188 | 420 | 45 | 58 | 30.6 |
| H 3076 | – | 360 | – | 193 | 450 | 48 | 62 | 35.8 |
| H 3080 | – | 380 | – | 210 | 470 | 52 | 66 | 41.5 |
| H 3084 | – | 400 | – | 212 | 490 | 52 | 66 | 43.6 |
| H 3088 | – | 410 | – | 228 | 520 | 60 | 77 | 65.5 |
| H 3092 | – | 430 | – | 234 | 540 | 60 | 77 | 69.4 |
| H 3096 | – | 450 | – | 237 | 560 | 60 | 77 | 73.5 |
| H 30/500 | – | 470 | – | 247 | 580 | 68 | 85 | 82.0 |

Adapter Sleeves

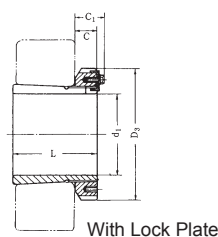
Adapter Sleeves

H 3100 / HE 3100 Series



Adapter Sleeves

| Adapter Sleeve Number | | Dimensions | | | | | Weight (kg) | |
|-----------------------|---------|----------------|-------------------------------|-----|----------------|----|-------------|----------------|
| | | d ₁ | | L | D ₃ | C | | C ₁ |
| H | HE | H mm | HEin | mm | mm | mm | mm | |
| H 3122 | HE 3122 | 100 | 4 | 81 | 145 | 21 | — | 2.25 |
| H 3124 | 24 | 110 | 4 ¹ / ₄ | 88 | 155 | 22 | — | 2.64 |
| H 3126 | 26 | 115 | 4 ¹ / ₂ | 92 | 165 | 23 | — | 3.66 |
| H 3128 | HE 3128 | 125 | 5 | 97 | 180 | 24 | — | 4.34 |
| H 3130 | 30 | 135 | 5 ¹ / ₄ | 111 | 195 | 26 | — | 5.54 |
| H 3132 | 32 | 140 | 5 ¹ / ₂ | 119 | 210 | 28 | — | 7.70 |
| H 3134 | HE 3134 | 150 | 6 | 122 | 220 | 29 | — | 8.40 |
| H 3136 | 36 | 160 | 6 ¹ / ₂ | 131 | 230 | 30 | — | 9.50 |
| H 3138 | 38 | 170 | 6 ³ / ₄ | 141 | 240 | 31 | — | 10.8 |
| H 3140 | HE 3140 | 180 | 7 | 150 | 250 | 32 | — | 12.1 |
| H 3144 | — | 200 | — | 158 | 280 | 32 | 44 | 14.7 |
| H 3148 | — | 220 | — | 169 | 300 | 34 | 46 | 17.3 |
| H 3152 | — | 240 | — | 187 | 330 | 36 | 49 | 22.0 |
| H 3156 | — | 260 | — | 192 | 350 | 38 | 51 | 24.5 |
| H 3160 | — | 280 | — | 208 | 380 | 40 | 53 | 30.3 |
| H 3164 | — | 300 | — | 226 | 400 | 42 | 56 | 35.0 |
| H 3168 | — | 320 | — | 254 | 440 | 55 | 72 | 49.5 |
| H 3172 | — | 340 | — | 259 | 460 | 58 | 75 | 54.5 |
| H 3176 | — | 360 | — | 264 | 490 | 60 | 77 | 61.6 |
| H 3180 | — | 380 | — | 272 | 520 | 62 | 82 | 70.8 |
| H 3184 | — | 400 | — | 304 | 540 | 70 | 90 | 84.5 |
| H 3188 | — | 410 | — | 307 | 560 | 70 | 90 | 108.0 |
| H 3192 | — | 430 | — | 326 | 580 | 75 | 95 | 116.0 |
| H 3196 | — | 450 | — | 335 | 620 | 75 | 95 | 133.0 |
| H 31/500 | — | 470 | — | 356 | 630 | 80 | 100 | 146.0 |

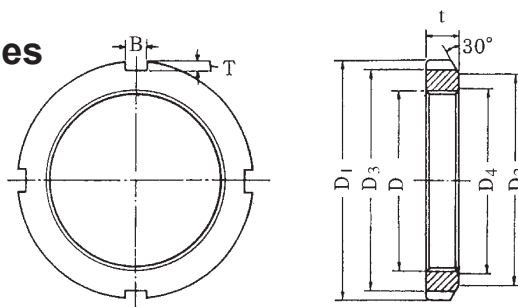


Adapter Sleeves

H 3200 Series

| Adapter Sleeve Number | | Dimensions (mm) | | | | | Weight (kg) |
|-----------------------|--|-----------------|-----|----------------|----|----------------|-------------|
| | | d ₁ | L | D ₃ | C | C ₁ | |
| H 3260 | | 280 | 240 | 380 | 40 | 53 | 34.0 |
| H 3264 | | 300 | 258 | 400 | 42 | 56 | 39.4 |
| H 3268 | | 320 | 288 | 440 | 55 | 72 | 54.6 |
| H 3272 | | 340 | 299 | 460 | 58 | 75 | 60.2 |
| H 3276 | | 360 | 310 | 490 | 60 | 77 | 69.6 |
| H 3280 | | 380 | 328 | 520 | 62 | 82 | 81.0 |
| H 3284 | | 400 | 352 | 540 | 70 | 90 | 94.0 |
| H 3288 | | 410 | 361 | 560 | 70 | 90 | 118.0 |
| H 3292 | | 430 | 382 | 580 | 75 | 95 | 132.0 |
| H 3296 | | 450 | 397 | 620 | 75 | 95 | 152.0 |
| H 32/500 | | 470 | 428 | 630 | 80 | 100 | 166.0 |

AN, ANL, AW, AWL Series



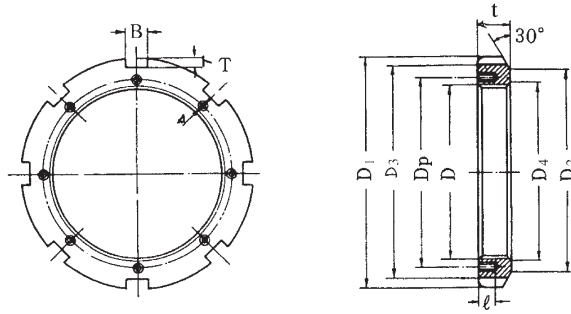
Lock Nut and Lock Washer

| Series AN | | Dimensions (mm) | | | | | | | | | | ANL Series | | Thread (Diameter, D x Pitch) |
|-----------------------|--------------------------|-----------------|----------------|----------------|--------|----|-----|----------------|----------------|----------------|--------------------------|-----------------------|----------------|------------------------------------|
| Lock Nut Number | Lock Washer Number | AN series | | | AN/ANL | | | ANL Series | | | Lock Washer Number | Lock Nut Number | | |
| | | D ₁ | D ₂ | D ₃ | t | B | T | D ₄ | D ₁ | D ₂ | | | D ₃ | |
| AN 00 | AW 00 | 18 | 13 | 14 | 4 | 3 | 2 | 10.5 | - | - | - | - | - | M 10X0.75 |
| 01 | 01 | 22 | 17 | 18 | 4 | 3 | 2 | 12.5 | - | - | - | - | - | 12X1 |
| 02 | 02 | 25 | 21 | 21 | 5 | 4 | 2 | 15.5 | - | - | - | - | - | 15X1 |
| AN 03 | AW 03 | 28 | 24 | 24 | 5 | 4 | 2 | 17.5 | - | - | - | - | - | M 17X1 |
| 04 | 04 | 32 | 26 | 28 | 6 | 4 | 2 | 20.5 | - | - | - | - | - | 20X1 |
| 05 | 05 | 38 | 32 | 34 | 7 | 5 | 2 | 25.8 | - | - | - | - | - | 25X1.5 |
| AN 06 | AW 06 | 45 | 38 | 41 | 7 | 5 | 2 | 30.8 | - | - | - | - | - | M 30X1.5 |
| 07 | 07 | 52 | 44 | 48 | 8 | 5 | 2 | 35.8 | - | - | - | - | - | 35X1.5 |
| 08 | 08 | 58 | 50 | 53 | 9 | 6 | 2.5 | 40.8 | - | - | - | - | - | 40X1.5 |
| AN 09 | AW 09 | 65 | 56 | 60 | 10 | 6 | 2.5 | 45.8 | - | - | - | - | - | M 45X1.5 |
| 10 | 10 | 70 | 61 | 65 | 11 | 6 | 2.5 | 50.8 | - | - | - | - | - | 50X1.5 |
| 11 | 11 | 75 | 67 | 69 | 11 | 7 | 3 | 56 | - | - | - | - | - | 55X2 |
| AN 12 | AW 12 | 80 | 73 | 74 | 11 | 7 | 3 | 61 | - | - | - | - | - | M 60X2 |
| 13 | 13 | 85 | 79 | 79 | 12 | 7 | 3 | 66 | - | - | - | - | - | 65X2 |
| 14 | 14 | 92 | 85 | 85 | 12 | 8 | 3.5 | 71 | - | - | - | - | - | 70X2 |
| AN 15 | AW 15 | 98 | 90 | 91 | 13 | 8 | 3.5 | 76 | - | - | - | - | - | M 75X2 |
| 16 | 16 | 105 | 95 | 98 | 15 | 8 | 3.5 | 81 | - | - | - | - | - | 80X2 |
| 17 | 17 | 110 | 102 | 103 | 16 | 8 | 3.5 | 86 | - | - | - | - | - | 85X2 |
| AN 18 | AW 18 | 120 | 108 | 112 | 16 | 10 | 4 | 91 | - | - | - | - | - | M 90X2 |
| 19 | 19 | 125 | 113 | 117 | 17 | 10 | 4 | 96 | - | - | - | - | - | 95X2 |
| 20 | 20 | 130 | 120 | 122 | 18 | 10 | 4 | 101 | - | - | - | - | - | 100X2 |
| AN 21 | AW 21 | 140 | 126 | 130 | 18 | 12 | 5 | 106 | - | - | - | - | - | M 105X2 |
| 22 | 22 | 145 | 133 | 135 | 19 | 12 | 5 | 111 | - | - | - | - | - | 110X2 |
| 23 | 23 | 150 | 137 | 140 | 19 | 12 | 5 | 116 | - | - | - | - | - | 115X2 |
| AN 24 | AW 24 | 155 | 138 | 145 | 20 | 12 | 5 | 121 | 145 | 133 | 135 | AWL 24 | ANL 24 | M 120X2 |
| 25 | 25 | 160 | 148 | 150 | 21 | 12 | 5 | 126 | - | - | - | - | - | 125X2 |
| 26 | 26 | 165 | 149 | 155 | 21 | 12 | 5 | 131 | 155 | 143 | 145 | AWL 26 | ANL 26 | 130X2 |
| AN 27 | AW 27 | 175 | 160 | 163 | 22 | 14 | 6 | 136 | - | - | - | - | - | M 135X2 |
| 28 | 28 | 180 | 160 | 168 | 22 | 14 | 6 | 141 | 165 | 151 | 153 | AWL 28 | ANL 28 | 140X2 |
| 29 | 29 | 190 | 171 | 178 | 24 | 14 | 6 | 146 | - | - | - | - | - | 145X2 |
| AN 30 | AW 30 | 195 | 171 | 183 | 24 | 14 | 6 | 151 | 180 | 164 | 168 | AWL 30 | ANL 30 | M 150X2 |
| 31 | 31 | 200 | 182 | 186 | 25 | 16 | 7 | 156.5 | - | - | - | - | - | 155X3 |
| 32 | 32 | 210 | 182 | 196 | 25 | 16 | 7 | 161.5 | 190 | 174 | 176 | AWL 32 | ANL 32 | 160X3 |
| AN 33 | AW 33 | 210 | 193 | 196 | 26 | 16 | 7 | 166.5 | - | - | - | - | - | M 165X3 |
| 34 | 34 | 220 | 193 | 206 | 26 | 16 | 7 | 171.5 | 200 | 184 | 186 | AWL 34 | ANL 34 | 170X3 |
| 36 | 36 | 230 | 203 | 214 | 27 | 18 | 8 | 181.5 | 210 | 192 | 194 | 36 | 36 | 180X3 |
| AN 38 | AW 38 | 240 | 214 | 224 | 28 | 18 | 8 | 191.5 | 220 | 202 | 204 | AWL 38 | ANL 38 | M 190X3 |
| 40 | 40 | 250 | 226 | 234 | 29 | 18 | 8 | 201.5 | 240 | 218 | 224 | 40 | 40 | 200X3 |

* ANL Nut for H30 Adapter

Lock Nut

AN Series



Adapter Sleeves

| Lock Nut Number | Dimensions (mm) | | | | | | | | | | |
|-----------------|------------------------------|----------------|----------------|----------------|----|----|----------------|----|------------------------------|----|----------------|
| | Thread (Diameter, D x Pitch) | D ₁ | D ₂ | D ₃ | B | T | D ₄ | t | PLATE HOLE | | |
| | | | | | | | | | Thread (Diameter, D x Pitch) | l | D ₁ |
| AN 44 | Tr 220X4 | 280 | 250 | 260 | 20 | 10 | 222 | 32 | M 8X1.25 | 15 | 238 |
| 48 | 240X4 | 300 | 270 | 280 | 20 | 10 | 242 | 34 | 8X1.25 | 15 | 258 |
| 52 | 260X4 | 330 | 300 | 306 | 24 | 12 | 262 | 36 | 10X1.5 | 18 | 281 |
| AN 56 | Tr 280X4 | 350 | 320 | 326 | 24 | 12 | 282 | 38 | M 10X1.5 | 18 | 301 |
| 60 | 300X4 | 380 | 340 | 356 | 24 | 12 | 302 | 40 | 10X1.5 | 18 | 326 |
| 64 | 320X5 | 400 | 360 | 376 | 24 | 12 | 322.5 | 42 | 10X1.5 | 18 | 345 |
| AN 68 | Tr 340X5 | 440 | 400 | 410 | 28 | 15 | 342.5 | 55 | M 12X1.75 | 21 | 372 |
| 72 | 360X5 | 460 | 420 | 430 | 28 | 15 | 362.5 | 58 | 12X1.75 | 21 | 392 |
| 76 | 380X5 | 490 | 450 | 454 | 32 | 18 | 382.5 | 60 | 12X1.75 | 21 | 414 |
| AN 80 | Tr 400X5 | 520 | 470 | 484 | 32 | 18 | 402.5 | 62 | M 16X2 | 27 | 439 |
| 84 | 420X5 | 540 | 490 | 504 | 32 | 18 | 422.5 | 70 | 16X2 | 27 | 459 |
| 88 | 440X5 | 560 | 510 | 520 | 36 | 20 | 442.5 | 70 | 16X2 | 27 | 477 |

Lock Nut

ANL* Series

| | | | | | | | | | | | |
|--------|----------|-----|-----|-----|----|----|-------|----|-----------|----|-----|
| ANL 44 | Tr 220X4 | 260 | 242 | 242 | 20 | 9 | 222 | 30 | M 6X1 | 12 | 229 |
| 48 | 240X4 | 290 | 270 | 270 | 20 | 10 | 242 | 34 | 8X1.25 | 15 | 253 |
| 52 | 260X4 | 310 | 290 | 290 | 20 | 10 | 262 | 34 | 8X1.25 | 15 | 273 |
| ANL 56 | Tr 280X4 | 330 | 310 | 310 | 24 | 10 | 282 | 38 | M 8X1.25 | 15 | 293 |
| 60 | 300X4 | 360 | 336 | 336 | 24 | 12 | 302 | 42 | 8X1.25 | 15 | 316 |
| 64 | 320X5 | 380 | 356 | 356 | 24 | 12 | 322.5 | 42 | 8X1.25 | 15 | 335 |
| ANL 68 | Tr 340X5 | 400 | 376 | 376 | 24 | 12 | 342.5 | 45 | M 8X1.25 | 15 | 355 |
| 72 | 360X5 | 420 | 394 | 394 | 28 | 13 | 362.5 | 45 | 8X1.25 | 15 | 374 |
| 76 | 380X5 | 450 | 422 | 422 | 28 | 14 | 382.5 | 48 | 10X1.5 | 18 | 398 |
| ANL 80 | Tr 400X5 | 470 | 442 | 442 | 28 | 14 | 402.5 | 52 | M 10X1.5 | 18 | 418 |
| 84 | 420X5 | 490 | 462 | 462 | 32 | 14 | 422.5 | 52 | 10X1.5 | 18 | 438 |
| 88 | 440X5 | 520 | 490 | 490 | 32 | 15 | 442.5 | 60 | 12X1.75 | 21 | 462 |
| ANL 92 | Tr 460X5 | 540 | 510 | 510 | 32 | 15 | 462.5 | 60 | M 12X1.75 | 21 | 482 |
| 96 | 480X5 | 560 | 530 | 530 | 36 | 15 | 482.5 | 60 | 12X1.75 | 21 | 502 |

* ANL Nut for H30 Adapter