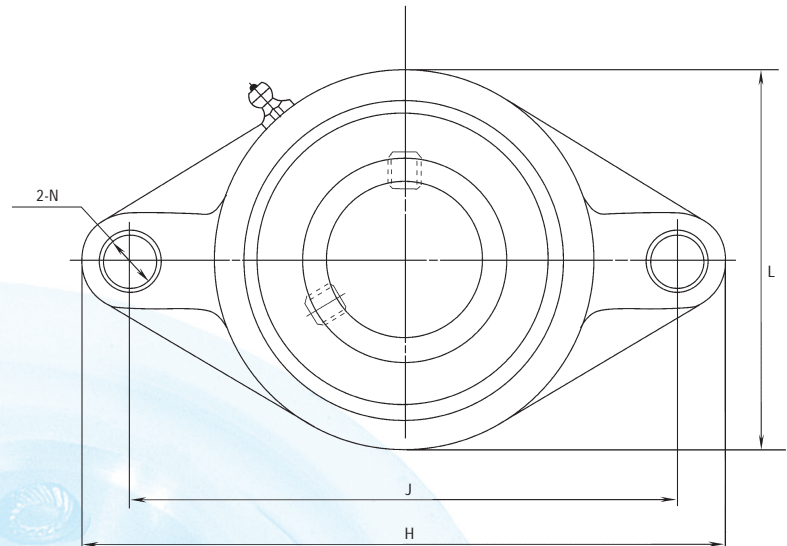
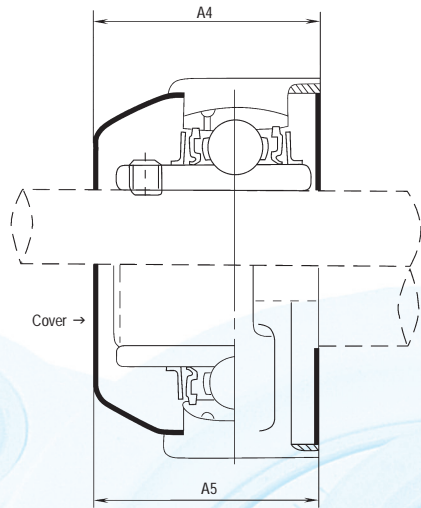


THERMO-PLASTIC HOUSING FLANGE UNIT

SPUCFL2 Series

STAINLESS STEEL SERIES



UNIT NO	SHAFT DIA, d		DIMENSIONS (mm)											BOLT SIZE	BEARING NO	HOUSING NO	WEIGHT (kg)
	mm	inch	H	J	A	L	A ₁	A ₂	A ₃	A ₄ /A ₅	N	B	S				
SPUCFL204-12	20	3/4"	113	90			12	15	33.3	50	12	31.0	12.7	M10	SSUC204	SPFL204	0.222
SPUCFL204															SSUC204-12		
SPUCFL205-14		7/8"													SSUC205-14		
SPUCFL205-15		1-5/16"	130	99			14	16	35.8	53	16	34.1	14.3	M14	SSUC205-15	SPFL205	0.295
SPUCFL205	25														SSUC205		
SPUCFL205-16		1"													SSUC205-16		
SPUCFL206-18		1-1/8"	117				14	18	40.2	61	16	38.1	15.9	M14	SSUC206-16	SPFL206	0.445
SPUCFL206	30														SSUC206-16		
SPUCFL206-19		1-3/16"													SSUC206-18		
SPUCFL207-20		1-1/4"	161	130			16	19	44.4	66	16	42.9	17.5	M14	SSUC206	SPFL207	0.635
SPUCFL207-21		1-5/16"													SSUC207-20		
SPUCFL207-22		1-3/8"													SSUC207-21		
SPUCFL207	35		175	144			16	21	51.2	74	16	49.2	19.0	M14	SSUC207-22	SPFL208	0.855
SPUCFL207-23		1-7/16"													SSUC207		
SPUCFL208-24		1-1/2"													SSUC207-23		
SPUCFL208-25		1-9/16"	180	148	38.0	112	16	22	52.2	82	16	49.2	19.0	M14	SSUC208-24	SPFL209	0.970
SPUCFL208	40														SSUC208-25		
SPUCFL209-26		1-5/8"													SSUC208		
SPUCFL209-27		1-11/16"	190	157	40.0	117	16	22	54.6	89	18	51.6	19.0	M16	SSUC209-26	SPFL210	1.170
SPUCFL209-28		1-3/4"													SSUC209-27		
SPUCFL209	45														SSUC209-28		
SPUCFL210-30		1-7/8"	217	184	43.0	134	18	25	58.4	95	18	55.6	22.2	M16	SSUC209	SPFL211	1.680
SPUCFL210-31		1-15/16"													SSUC210-30		
SPUCFL210	50														SSUC210-31		
SPUCFL211-32		2"	235	202	48.0	142	18	29	68.7	103	18	65.1	25.4	M16	SSUC210	SPFL212	2.200
SPUCFL211-34		2-1/8"													SSUC211-32		
SPUCFL211	55														SSUC211-34		
SPUCFL211-35		2-3/16"	235	202	48.0	142	18	29	68.7	103	18	65.1	25.4	M16	SSUC211	SPFL212	2.200
SPUCFL212-36		2-1/4"													SSUC211-35		
SPUCFL212	60														SSUC212-36		
SPUCFL212-38		2-3/8"	235	202	48.0	142	18	29	68.7	103	18	65.1	25.4	M16	SSUC212	SPFL212	2.200
SPUCFL212-39		2-7/16"													SSUC212-38		
															SSUC212-39		

Add C for open cover & D for close cover