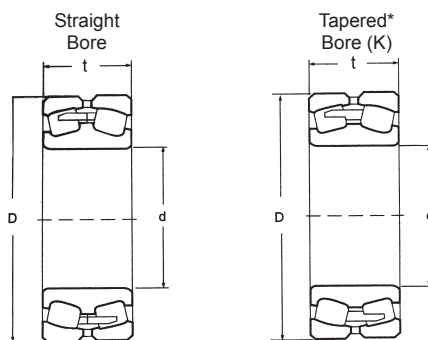


Spherical Roller Bearings

21000 Series

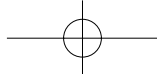


Ball / Roller Bearing

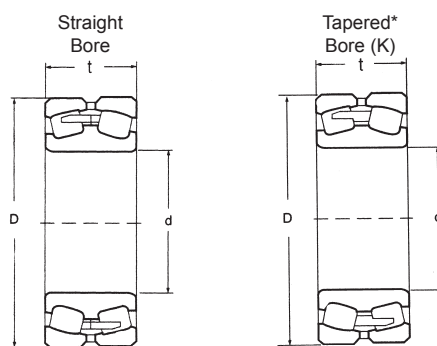
Bearing Number	Dimensions (mm)			Basic Load Ratings (kN)		Limiting Speeds (rev/min)		Weight kg
	Bore d	OD D	Thickness t	<i>C_r</i>	<i>C_{or}</i>	Grease	Oil	
21305	25	62	17	44.9	43.7	5600	7400	0.267
21306	30	72	19	58.3	60	4700	6300	0.406
21307	35	80	21	70.7	73.3	4200	5600	0.547
21308	40	90	23	87.6	92	3700	5000	0.751
21309	45	100	25	105	112	3300	4400	1.01
21310	50	110	27	121	129	3000	4000	1.3
21311	55	120	29	141	152	2800	3700	1.66
21312	60	130	31	165	175	2500	3400	1.99
21313	65	140	33	186	197	2300	3100	2.45
21314	70	150	35	206	223	2200	2900	2.98
21315	75	160	37	249	270	2100	2700	3.63
21316	80	170	39	272	306	1900	2600	4.29
21317	85	180	41	297	351	1800	2400	5.19
21318	90	190	43	320	387	1700	2300	6.09
21319	95	200	45	351	444	1700	2200	7.09
21320	100	215	47	382	446	1600	2000	8.44
21322	110	240	50	471	611	1400	1800	11.8

* For tapered bore bearings add suffix "K"

* Add Suffix 'CC' or 'CA' or 'MB' for respective cage type



22200 Series



Spherical Roller Bearings

Ball / Roller Bearing

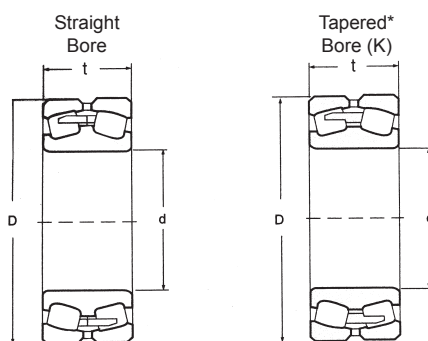
Bearing Number	Dimensions (mm)			Basic Load Ratings (kN)		Limiting Speeds (rev/min)		Weight kg
	Bore d	OD D	Thickness t	C_r	C_{or}	Grease	Oil	
22205	25	52	18	42.1	43.5	8100	11000	0.786
22206	30	62	20	51.7	55	6800	9100	0.287
22207	35	72	23	67	73.9	5900	7800	0.432
22208	40	80	23	76.9	85	5200	6900	0.555
22209	45	85	23	80.5	91.9	4900	6500	0.590
22210	50	90	23	83.1	97.8	4500	6000	0.692
22211	55	100	25	102	119	4100	5400	0.860
22212	60	110	28	127	154	3700	4900	1.198
22213	65	120	31	151	188	3400	4600	1.551
22214	70	125	31	155	193	3200	4300	1.660
22215	75	130	31	161	204	3100	4100	1.730
22216	80	140	33	174	225	2900	3800	2.280
22217	85	150	36	216	277	2700	3600	2.830
22218	90	160	40	252	332	2500	3300	4.010
22219	95	170	43	273	359	2400	3200	4.550
22220	100	180	46	317	423	2200	3000	5.124
22222	110	200	53	414	574	2000	2700	7.000
22224	120	215	58	488	666	1900	2500	9.070
22226	130	230	64	579	804	1800	2300	11.370
22228	140	250	68	656	920	1600	2200	14.200
22230	150	270	73	750	1060	1500	2000	18.420
22232	160	290	80	879	1220	1400	1900	23.500
22234	170	310	86	983	1380	1300	1800	28.800
22236	180	320	86	1040	1490	1300	1700	30.900
22238	190	340	92	1150	1700	1200	1600	37.410
22240	200	360	98	1290	1910	1100	1500	43.900
22244	220	400	108	1560.00	2260.00	1000	1400	59.500

* For tapered bore bearings add suffix "K"

* Add Suffix 'CC' or 'CA' or 'MB' for respective cage type

Spherical Roller Bearings

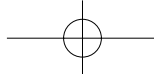
22300 Series



Bearing Number	Dimensions (mm)			Basic Load Ratings (kN)		Limiting Speeds (rev/min)		Weight kg
	Bore d	OD D	Thickness t	<i>C_r</i>	<i>C_{or}</i>	Grease	Oil	
22308	40	90	33	115	127	4000	5300	1.041
22309	45	100	36	146	168	3600	4800	1.387
22310	50	110	40	181	208	3200	4300	1.827
22311	55	120	43	213	248	3000	3900	2.299
22312	60	130	46	243	284	2700	3600	2.881
22313	65	140	48	251	291	2500	3400	3.494
22314	70	150	51	300	362	2400	3100	4.212
22315	75	160	55	351	437	2200	2900	5.225
22316	80	170	58	395	496	2100	2800	6.296
22317	85	180	60	431	539	2000	2600	7.360
22318	90	190	64	486	628	1900	2500	8.878
22139	95	200	67	534	686	1800	2300	10.380
22320	100	215	73	613	799	1600	2200	12.941
22322	110	240	80	724	915	1500	2000	17.850
22324	120	260	86	848	1130	1400	1800	22.378
22326	130	280	93	978	1320	1300	1700	28.130
22328	140	300	102	1140	1550	1200	1600	34.840
22330	150	320	108	1270	1750	1100	1500	43.600
22332	160	340	114	1350	1860	1000	1400	51.900
22334	170	360	120	1500	2090	980	1300	60.750
22336	180	380	126	1640	2290	930	1200	60.080
22338	190	400	132	1810	2540	880	1200	83.220
22340	200	420	138	1990	2800	840	1100	95.2
22344	220	460	145	2290	3250	760	1000	121

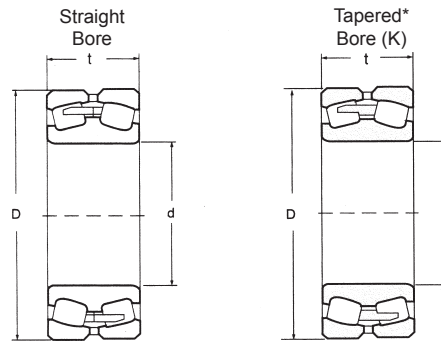
* For tapered bore bearings add suffix "K"

* Add Suffix 'CC' or 'CA' or 'MB' for respective cage type



FBJ®

23000 Series



Spherical Roller Bearings

Ball / Roller Bearing

Bearing Number	Dimensions (mm)			Basic Load Ratings (kN)		Limiting Speeds (rev/min)		Weight kg
	Bore d	OD D	Thickness t	C_r	C_{or}	Grease	Oil	
23022	110	170	45	304	489	1900	2500	3.96
23024	120	180	46	317	514	1700	2300	4.35
23026	130	200	52	401	660	1600	2100	6.17
23028	140	210	53	415	689	1500	2000	6.87
23030	150	225	56	467	789	1400	1900	8.25
23032	160	240	60	538	917	1300	1700	10.2
23034	170	260	67	652	1110	1200	1600	13.4
23036	180	280	74	702	1170	1100	1500	17.6
23038	190	290	75	781	1360	1100	1400	18.8
23040	200	310	82	867	1470	1000	1400	24.10
23044	220	340	90	1030	1790	930	1200	31

* For tapered bore bearings add suffix "K"

* Add Suffix 'CC' or 'CA' or 'MB' for respective cage type

23100 Series

Spherical Roller Bearings

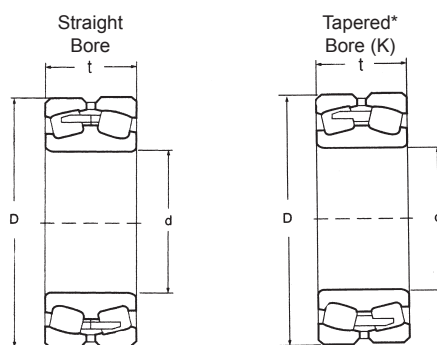
23120	100	165	52	326	490	1700	2200	4.58
23122	110	180	56	382	596	1500	2000	5.76
23124	120	200	62	468	726	1400	1900	8.33
23126	130	210	64	512	798	1300	1800	8.75
23128	140	225	68	546	876	1200	1600	10.80
23130	150	250	80	716	1150	1100	1500	16.2
23132	160	270	86	841	1370	1000	1400	20.8
23134	170	280	88	887	1490	990	1300	22.2
23136	180	300	96	999	1650	930	1200	28.40
23138	190	320	104	1170	1960	870	1200	34.9
23140	200	340	112	1370	2310	830	1100	43.70
23144	220	370	120	1500	2570	760	1000	54.80

* For tapered bore bearings add suffix "K"

* Add Suffix 'CC' or 'CA' or 'MB' for respective cage type

Spherical Roller Bearings

23200~23300 Series



Bearing Number	Dimensions (mm)			Basic Load Ratings (kN)		Limiting Speeds (rev/min)		Weight kg
	Bore d	OD D	Thickness t	C_r	C_{or}	Grease	Oil	
23218	90	160	52.4	316	453	1600	2200	4.64
23220	100	180	60.3	405	589	1500	1900	6.81
23222	110	200	69.8	428	786	1300	1800	9.79
23224	120	215	76	592	904	1200	1600	12.1
23226	130	230	80	670	1020	1100	1500	14.3
23228	140	250	88	818	1230	1000	1400	18.9
23230	150	270	96	925	1450	980	1300	24.3
23232	160	290	104	1050	1670	910	1200	30.6
23234	170	310	110	1230	1970	840	1100	37.4
23236	180	320	112	1270	2050	820	1100	39.5
23238	190	340	120	1420	2340	760	1000	48
23240	200	360	128	1580	2620	730	970	57.8
23244	220	400	144	1960	3270	660	880	81.5
23328	140	300	118	1260	1790	1000	1400	39.6

* For tapered bore bearings add suffix "K"

* Add Suffix 'CC' or 'CA' or 'MB' for respective cage type

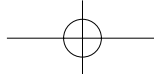
Spherical Roller Bearings

23900 Series

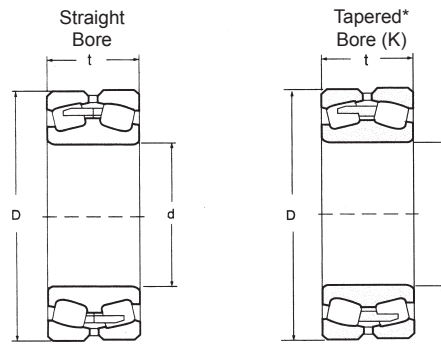
23920	100	140	30	173	278	2600	3500	1.39
23922	110	150	30	182	303	2400	3300	1.5
23924	120	165	34	226	383	2200	3000	2.12
23926	130	180	37	270	455	2000	2700	2.76
23928	140	190	37	280	490	1900	2600	2.95
23930	150	210	45	321	569	1800	2300	4.88
23932	160	220	45	334	611	1700	2200	5.16
23934	170	230	45	339	633	1600	2100	5.4
23936	180	250	52	447	849	1500	2000	7.98
23938	190	260	52	466	871	1400	1900	8.25
23940	200	280	60	537	1030	1300	1800	11.7
23944	220	300	60	578	1120	1200	1600	12.6

* For tapered bore bearings add suffix "K"

* Add Suffix 'CC' or 'CA' or 'MB' for respective cage type



24000 Series



Spherical Roller Bearings

Ball / Roller Bearing

Bearing Number	Dimensions (mm)			Basic Load Ratings (kN)		Limiting Speeds (rev/min)		Weight kg
	Bore d	OD D	Thickness t	<i>Cr</i>	<i>Cor</i>	Grease	Oil	
24018	90	140	50	229	386	1600	2200	2.89
24020	100	150	50	242	425	1500	2000	3.15
24022	110	170	60	294	506	1300	1800	5.04
24024	120	180	60	386	673	1200	1700	5.4
24026	130	200	69	484	841	1100	1500	8.16
24028	140	210	69	495	865	1100	1400	8.42
24030	150	225	75	564	1010	990	1300	10.5
24032	160	240	80	655	1180	930	1200	13
24034	170	260	90	800	1470	860	1200	17.6
24036	180	280	100	936	1710	810	1100	23.5
24038	190	290	100	931	1800	780	1000	23.8
24040	200	310	109	1170	2170	730	970	31.4
24044	220	340	118	1370	2550	660	880	40.5

* For tapered bore bearings add suffix "K"

* Add Suffix 'CC' or 'CA' or 'MB' for respective cage type

24100 Series

Spherical Roller Bearings

24118	90	150	60	326	524	1400	1900	4.26
24120	100	165	65	389	632	1300	1700	5.54
24122	110	180	69	462	758	1200	1500	7.15
24124	120	200	80	601	994	1100	1400	10.2
24126	130	210	80	597	1020	980	1300	11.1
24128	140	225	85	634	1100	920	1200	13.1
24130	150	250	100	891	1520	840	1100	20.2
24132	160	270	109	1050	1810	780	1000	26.1
24134	170	280	109	1080	1870	740	990	27.2
24136	180	300	118	1240	2180	700	930	33.5
24138	190	320	128	1330	2340	650	870	42.3
24140	200	340	140	1590	2790	620	830	53.3
24144	220	370	150	1870	3390	570	750	65.6

* For tapered bore bearings add suffix "K"

* Add Suffix 'CC' or 'CA' or 'MB' for respective cage type