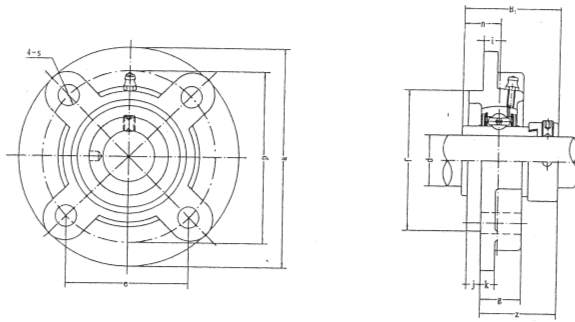


Flange Cartridge Units

NAFC 2 (Normal-duty) (with Eccentric Locking Collar)



Unit No.	Dimensions <small>mm inch</small>														Bolt Size <small>mm inch</small>	Bearing No.	Housing No.	Weight (kg)
	d	a	p	e	i	S	j	k	g	f	z	B	n					
NAFC 204	20	100	78	55.1	10	12	5	7	20.5	62	36.6	43.7	17.1	M10	NA 204	FC204	0.76	
NAFC 204-12	3/4	3-15/16	3-5/64	2-11/64	25/64	15/32	13/64	9/32	13/16	2.4409	1-7/16	0.720	0.673	3/8	NA 204-12		0.76	
NAFC 205	25	115	90	63.6	10	12	6	7	21	70	36.9	44.4	17.5	M10	NA 205		1.07	
NAFC 205-13	13/16														NA 205-13		1.12	
NAFC 205-14	7/8	4-17/32	3-35/64	2-1/2	25/64	15/32	15/64	9/32	53/64	2.7559	1-29/64	1.748	0.689	3/8	NA 205-14	FC205	1.11	
NAFC 205-15	15/16														NA 205-15		1.09	
NAFC 205-16	1														NA 205-16		1.07	
NAFC 206	30	125	100	70.7	10	12	8	8	23	80	40.1	48.4	18.3	M10	NA 206		1.43	
NAFC 206-17	1-1/16														NA 206-17		1.48	
NAFC 206-18	1-3/8	4-59/64	3-15/16	2-25/32	25/64	15/32	5/16	5/16	29/32	3.1496	1-37/64	1.906	0.720	3/8	NA 206-18	FC206	1.45	
NAFC 206-19	1-3/16														NA 206-19		1.43	
NAFC 206-20	1-1/4														NA 206-20		1.40	
NAFC 207	35	135	110	77.8	11	14	8	9	26	90	43.3	51.1	18.8	M12	NA 207		1.93	
NAFC 207-20	1-1/4														NA 207-20		2.00	
NAFC 207-21	1-5/16	1-5/16	4-21/64	3-1/16	7/16	35/64	5/16	23/64	1-1/32	3.5433	1-45/64	2.012	0.740	7/16	NA 207-21	FC207	1.96	
NAFC 207-22	1-3/8														NA 207-22		1.93	
NAFC 207-23	1-7/16														NA 208-23		1.87	
NAFC 208	40	145	120	84.8	11	14	10	9	26	100	45.9	56.3	21.4	M12	NA 208		2.29	
NAFC 208-24	1-1/2														NA 208-24	FC208	2.34	
NAFC 208-25	1-9/16	5-45/64	4-23/32	3-11/32	7/16	35/64	25/64	23/64	1-1/32	3.9370	1-13/16	2.217	0.843	7/16	NA 208-25		2.30	
NAFC 209	45	160	132	93.3	10	16	12	14	26	105	44.9	56.3	21.4	M14	NA 209		2.85	
NAFC 209-26	1-5/8														NA 209-26		2.96	
NAFC 209-27	1-11/16	6-19/64	5-13/64	3-43/64	25/64	5/8	15/32	35/64	1-1/32	4.1339	1-49/64	2.217	0.843	1/2	NA 209-27	FC209	2.91	
NAFC 209-28	1-3/4														NA 209-28		2.87	
NAFC 210	50	165	138	97.6	10	16	12	14	28	110	48.1	62.7	24.6	M14	NA 210		3.09	
NAFC 210-29	1-13/16														NA 210-29		3.24	
NAFC 210-30	1-7/8	6-1/2	5-7/16	3-27/32	25/64	5/8	15/32	35/64	1-7/64	4.3307	1-57/64	2.469	0.969	1/2	NA 210-30	FC210	3.18	
NAFC 210-31	1-15/16														NA 210-31			
NAFC 210-32	2														NA 210-32		3.06	
NAFC 211	55	185	150	106.1	13	19	12	15	31	125	56.6	71.4	27.8	M16	NA 211		4.22	
NAFC 211-32	2														NA 211-32		4.42	
NAFC 211-33	2-1/16	7-9/32	5-29/32	4-3/16	33/64	3/4	15/32	19/32	1-7/32	4.9213	2-15/64	2.811	1.094	5/8	NA 211-33	FC211	4.34	
NAFC 211-34	2-1/8														NA 211-34		4.27	
NAFC 211-35	2-3/16														NA 211-35		4.19	
NAFC 212	60	195	160	113.1	17	19	12	15	36	135	63.8	77.8	31	M16	NA 212		5.28	
NAFC 212-36	2-1/4														NA 212-36		5.44	
NAFC 212-37	2-5/16	7-11/16	6-19/64	4-29/64	43/64	3/4	15/32	19/32	1-27/64	5.3150	2-33/64	3.063	1.220	5/8	NA 212-37	FC212	5.35	
NAFC 212-38	2-3/8														NA 212-38		5.30	
NAFC 212-39	2-7/16														NA 212-39		5.17	
NAFC 213	65	205	170	120.2	16	19	14	15	36	145	67.6	85.7	34.1	M16	NA 213		6.21	
NAFC 213-40	2-1/2	8-5/64	6-11/16	4-47/64	5/8	3/4	35/64	19/32	1-27/64	5.5118	2-21/32	3.374	1.343	5/8	NA 214-40	FC213	6.31	
NAFC 213-41	2-9/16														NA 213-41		6.20	
NAFC 214	70	215	177	125.1	17	19	14	18	40	150	68.6	85.7	34.1	M16	NA 214		7.45	
NAFC 214-42	2-3/8														NA 214-42		7.69	
NAFC 214-43	2-11/16	8-15/32	6-31/32	4-59/64	43/64	3/4	35/64	23/32	1-37/64	5.9055	2-45/64	3.374	1.343	5/8	NA 214-43	FC214	7.58	
NAFC 214-44	2-3/4														NA 214-44		7.46	
NAFC 215	75	220	184	130.1	18	19	16	18	40	160	72.8	92.1	37.3	M16	NA 215		8.19	
NAFC 215-45	2-13/16														NA 215-45		8.49	
NAFC 215-46	2-7/8	8-21/32	7-1/4	5-1/8	23/32	3/4	5/8	23/32	1-37/64	6.2992	2-7/8	3.626	1.469	5/8	NA 215-46	FC215	8.36	
NAFC 215-47	2-15/16														NA 215-47		8.23	
NAFC 215-48	3														NA 215-48		8.09	