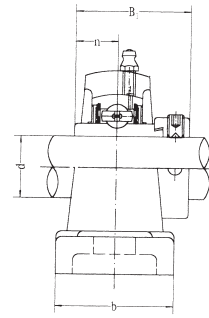
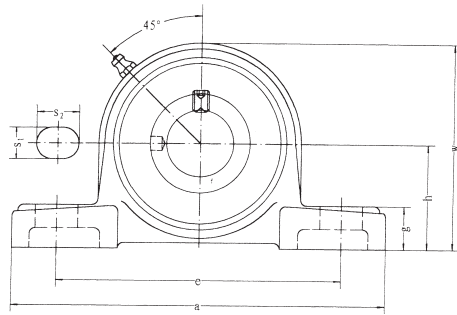


Pillow Blocks



Unit No.	Dimensions <small>mm inch</small>											Bolt Size <small>mm inch</small>	Bearing No.	Housing No.	Weight (kg)
	d	h	a	e	b	S ₁	S ₂	g	w	B ₁	n				
NAP 204	20	33.3	127	95	38	13	19	14	65	43.7	17.1	M10	NA 204	P204	0.73
NAP 204-12	3/4	1-5/16	5	3-3/4	1-1/2	1/2	3/4	9/16	2-9/16	1.720	0.673	3/8	NA 204-12		0.73
NAP 205	25	36.5	140	105	38	13	19	15	71	44.4	17.5	M10	NA 205	P205	0.88
NAP 205-13	19/16												NA 205-13		0.93
NAP 205-14	7/8	1-7/16	5-1/2	4-1/8	1-1/2	1/2	3/4	19/32	2-25/32	1.748	0.689	3/8	NA 205-14		0.92
NAP 205-15	15/16												NA 205-15		0.90
NAP 205-16	1												NA 205-16		0.88
NAP 206	30	42.9	165	121	48	17	20	17	84	48.4	18.3	M14	NA 206	P206	1.37
NAP 206-17	1-1/16												NA 206-17		1.42
NAP 206-18	1-1/8	1-11/16	6-1/2	4-3/4	1-7/8	43/64	25/32	21/32	3-5/16	1.906	0.720	1/2	NA 206-18		1.39
NAP 206-19	1-3/16												NA 206-19		1.37
NAP 206-20	1-4/1												NA 206-20		1.34
NAP 207	35	47.6	167	127	48	17	20	18	93	51.1	18.8	M14	NA 207	P207	1.70
NAP 207-20	1-4/1												NA 207-20		1.77
NAP 207-21	1-5/16	1-7/8	6-9/16	5	1-7/8	43/64	25/32	45/64	3-21/32	2.012	0.740	1/2	NA 207-21		1.73
NAP 207-22	1-3/8												NA 207-22		1.70
NAP 207-23	1-7/16												NA 208-23		1.67
NAP 208	40	49.2	184	137	54	17	20	18	100	56.3	21.4	M14	NA 208	P208	2.04
NAP 208-24	1-1/2	1-15/16	7-1/4	5-13/32	2-1/8	43/64	25/32	45/64	3-15/16	2.217	0.843	1/2	NA 208-24		2.09
NAP 208-25	1-9/16												NA 208-25		2.05
NAP 209	45	54.0	190	146	54	17	20	20	106	56.3	21.4	M14	NA 209	P209	2.31
NAP 209-26	1-5/8												NA 209-26		2.42
NAP 209-27	1-11/16	2-1/8	7-15/32	5-3/4	2-1/8	43/64	25/32	25/32	4-11/64	2.217	0.843	1/2	NA 209-27		2.37
NAP 209-28	1-3/4												NA 209-28		2.33
NAP 210	50	57.2	206	159	60	20	23	21	113	62.7	24.6	M16	NA 210	P210	2.85
NAP 210-29	1-13/16												NA 210-29		3.00
NAP 210-30	1-7/8	2-1/4	8-1/8	6-1/4	2-3/8	25/32	29/32	53/64	4-29/64	2.469	0.969	5/8	NA 210-30		2.94
NAP 210-31	1-15/16												NA 210-31		2.88
NAP 210-32	2												NA 210-32	2.82	
NAP 211	55	63.5	219	171	60	20	23	23	125	71.4	27.8	M16	NA 211	P211	3.52
NAP 211-32	2												NA 211-32		3.72
NAP 211-33	2-1/16	2-1/2	8-5/8	6-47/64	2-3/8	25/32	29/32	29/32	4-59/64	2.811	1.094	5/8	NA 211-33		3.64
NAP 211-34	2-1/8												NA 211-34		3.57
NAP 211-35	2-3/16												NA 211-35		3.49
NAP 212	60	69.8	241	184	70	20	23	25	138	77.8	31	M16	NA 212	P212	5.24
NAP 212-36	2-1/4												NA 212-36		5.40
NAP 212-37	2-5/16	2-3/4	9-1/2	7-1/4	2-3/4	25/32	29/32	63/64	5-7/16	3.063	1.220	5/8	NA 212-37		5.31
NAP 212-38	2-3/8												NA 212-38		5.26
NAP 212-39	2-7/16												NA 212-39		5.13
NAP 213	65	76.2	265	203	70	25	28	27	150	85.7	34.1	M20	NA 213	P213	5.71
NAP 213-40	2-1/2	3	10-7/16	8	2-3/4	63/64	1-3/32	1-1/16	5-29/32	3.374	1.343	3/4	NA 213-40		5.81
NAP 213-41	2-9/16												NA 213-41		5.70
NAP 214	70	79.4	266	210	72	25	28	27	156	85.7	34.1	M20	NA 214	P214	6.70
NAP 214-42	2-3/8												NA 214-42		6.94
NAP 214-43	2-11/16	3-1/8	10-15/32	8-17/64	2-27/32	63/64	1-3/32	1-1/16	6-9/64	3.374	1.343	3/4	NA 214-43		6.83
NAP 214-44	2-3/4												NA 214-44		6.71
NAP 215	75	82.6	275	217	74	25	28	28	162	92.1	37.3	M20	NA 215	P215	7.79
NAP 215-45	2-13/16												NA 215-45		8.09
NAP 215-46	2-7/8	3-1/4	10-53/64	8-35/64	2-29/32	63/64	1-3/32	1-3/32	6-3/8	3.626	1.426	3/4	NA 215-46		7.96
NAP 215-47	2-15/16												NA 215-47		7.83
NAP 215-48	3												NA 215-48		7.69