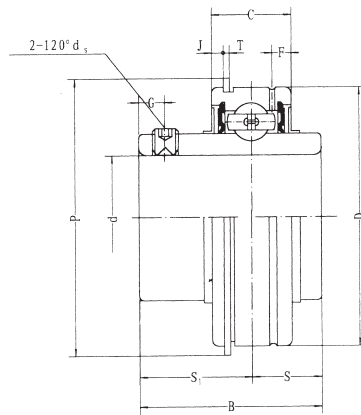


SER 2 (normal-duty)

Ball Bearings
(with snap ring)



Bearing No.	Dimensions ^{mm} / _{inch}												Basic Load Rating (N)		Weight (kg)
	d	D	B	C	S	S ₁	T	F	J	P	G	d ₂	Dynamic	Static	
SER 204	20	47	31	15.9	10.3	20.7	1.12	3.8	2.46	52.7	4.8	M6 x 1	9880	6200	0.21
SER 204-12	3/4	1.8504	1.2205	0.6260	0.406	0.815	0.044	0.150	0.097	2.075	0.189	1/4-28UNF			
SER 205	25	52	34.9	19	13.1	21.8	1.12	5.2	2.46	57.9	5	M6 x 1			0.27
SER 205-13	13/16														
SER 205-14	7/8	2.0472	1.3740	0.7480	0.516	0.858	0.044	0.205	0.097	2.280	0.197	1/4-28UNF	10780	6980	
SER 205-15	15/16														
SER 205-16	1														
SER 206	30	62	38.1	22.2	15.9	22.2	1.7	5.6	3.28	67.7	5	M6 x 1			0.39
SER 206-17	1-1/16														
SER 206-18	1-1/8	2.4409	1.5000	0.8740	0.626	0.874	0.067	0.220	0.129	2.665	0.197	1/4-28UNF	14970	10040	
SER 206-19	1-3/16														
SER 206-20	1-1/4														
SER 207	35	72	42.9	23.8	17.5	25.4	1.7	5.6	3.28	78.6	6.7	M8 x 1			0.45
SER 207-20	1-1/4														
SER 207-21	1-5/16	2.8346	1.6890	0.9370	0.689	1.000	0.067	0.220	0.129	3.094	0.264	5/16-24UNF	19750	13760	
SER 207-22	1-3/8														
SER 207-23	1-7/16														
SER 208	40	80	49.2	27.8	19	30.2	1.7	6.4	3.28	86.9	8	M8 x 1			0.81
SER 208-24	1-1/2	3.1496	1.9370	1.0945	0.748	1.189	0.067	0.252	0.129	3.409	0.315	5/16-24UNF	22710	15940	
SER 208-25	1-9/16														
SER 209	45	85	49.2	27.8	19	30.2	1.7	6.4	3.28	91.6	8	M8 x 1			0.90
SER 209-26	1-5/8														
SER 209-27	1-11/16	3.3465	1.9370	1.0945	0.748	1.189	0.067	0.252	0.129	3.606	0.315	5/16-24UNF	24360	17710	
SER 209-28	1-3/4														
SER 210	50	90	51.6	28.6	19	32.6	2.46	7.5	3.28	96.5	10	M10 x 1			0.98
SER 210-29	1-13/16														
SER 210-30	1-7/8	3.5433	2.0315	1.1260	0.748	1.283	0.097	0.295	0.129	3.799	0.394	3/8-24UNF	26980	19840	
SER 210-31	1-15/16														
SER 210-32	2														
SER 211	55	100	55.6	30.2	22.2	33.4	2.46	7.5	3.28	106.5	10	M10 x 1			1.40
SER 211-2	2														
SER 211-33	2-1/16	3.9370	2.1890	1.1890	0.874	1.315	0.097	0.295	0.129	4.193	0.394	3/8-24UNF	33370	25110	
SER 211-34	2-1/8														
SER 211-35	2-3/16														
SER 212	60	110	65.1	31.8	25.4	39.7	2.46	7.5	3.28	1116.6	10	M10 x 1			1.89
SER 212-32	2														
SER 212-36	2-1/4														
SER 212-37	2-5/16	4.3307	2.5630	1.2520	1.000	1.563	0.097	0.295	0.129	4.591	0.394	3/8-24UNF	36740	27970	
SER 212-38	2-3/8														
SER 212-39	2-7/16														