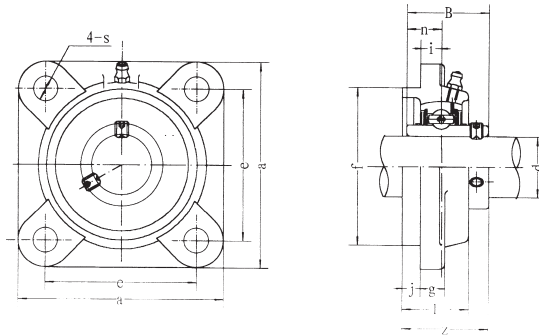


UCFS 3 (heavy-duty)



Unit No.	Dimensions ^{mm} inch												Bolt Size mm inch	Bearing No.	Housing No.	Weight (kg)
	d	a	p	e	i	s	j	k	g	f	z	B ₁				
UCFS 305	25	110	80	9	16	7	13	29	80	39	38	15	M14	UC 305	FS305	1.3
UCFS 305-13	13/16													UC 305-13		
UCFS 305-14	7/8	4-11/32	3-5/32	23/64	5/8	9/32	1/2	1-9/64	3.1496	1-17/32	1.4961	0.591	1/2	UC 305-14		
UCFS 305-15	15/16													UC 305-15		
UCFS 305-16	1													UC 305-16		
UCFS 306	30	125	95	10	16	8	15	32	90	44	43	17	M14	UC 306	FS306	1.9
UCFS 306-17	1-1/16													UC 306-17		
UCFS 306-18	1-1/8	4-29/32	3-47/64	25/64	5/8	5/16	19/32	1-17/64	3.5433	4-47/64	1.6929	0.669	1/2	UC 306-18		
UCFS 306-19	1-3/16													UC 306-19		
UCFS 307	35	135	100	11	19	9	16	36	100	49	48	19	M16	UC 307	FS307	2.4
UCFS 307-20	1-1/4													UC 307-20		
UCFS 307-21	1-5/16	5-5/16	3-15/16	7/16	3/4	23/64	5/8	1-13/32	3.9730	1-59/64	1.8898	0.748	5/8	UC 307-21		
UCFS 307-22	1-3/8													UC 307-22		
UCFS 307-23	1-7/16													UC 307-23		
UCFS 308	40	150	112	13	19	10	17	40	115	56	52	19	M16	UC 308	FS308	3.3
UCFS 308-24	1-1/2	5-29/32	4-13/32	33/64	3/4	25/64	21/32	1-9/16	4.5276	2-13/64	2.0472	0.748	5/8	UC 308-24		
UCFS 308-25	1-9/16													UC 308-25		
UCFS 309	45	160	125	14	19	11	18	44	125	60	57	22	M16	UC 309	FS309	4.0
UCFS 309-26	1-5/8													UC 309-26		
UCFS 309-27	1-11/16	6-5/16	4-59/64	35/64	3/4	7/16	23/32	1-47/64	4.9213	2-23/64	2.2441	0.866	5/8	UC 309-27		
UCFS 309-28	1-3/4													UC 309-28		
UCFS 310	50	175	132	16	23	12	19	48	140	67	61	22	M20	UC 310	FS310	5.3
UCFS 310-29	1-13/16													UC 310-29		
UCFS 310-30	1-7/8	6-7/8	5-13/64	5/8	29/32	15/32	3/4	1-57/64	5.5118	2-41/64	2.4016	0.866	3/4	UC 310-30		
UCFS 310-31	1-15/16													UC 310-31		
UCFS 311	55	185	140	17	23	13	20	52	150	71	66	25	M20	UC 311	FS311	6.2
UCFS 311-32	2													UC 311-32		
UCFS 311-33	2-1/16	7-9/32	5-33/64	43/64	29/32	33/64	25/32	2-3/64	5.9055	2-51/64	2.5984	0.984	3/4	UC 311-33		
UCFS 311-34	2-1/8													UC 311-34		
UCFS 311-35	2-3/16													UC 311-35		
UCFS 312	60	195	150	19	23	14	22	56	160	78	71	26	M20	UC 312	FX312	7.2
UCFS 312-36	2-1/4													UC 312-36		
UCFS 312-37	2-5/16	7-11/16	5-29/32	3/4	29/32	35/64	7/8	2-7/32	6.2922	3-5/64	2.7953	1.024	3/4	UC 312-37		
UCFS 312-38	2-3/8													UC 312-38		
UCFS 312-39	2-7/16													UC 312-39		
UCFS 313	65	208	166	15	23	18	22	58	175	78	75	30	M20	UC 313	FX313	8.9
UCFS 313-40	2-1/2	8-3/16	6-17/32	19/32	29/32	45/64	55/64	2-9/32	6.8898	3-9/64	2.9528	1.181	3/4	UC 313-40		
UCFS 313-41	2-9/16													UC 313-41		
UCFS 314	70	226	178	18	25	18	25	61	185	81	78	33	M22	UC 314	FS314	11
UCFS 314-42	2-5/8													UC 314-42		
UCFS 314-43	2-11/16	8-29/32	6-1/64	45/64	63/64	45/64	31/32	2-13/32	7.2835	3-3/16	3.0708	1.299	7/8	UC 314-43		
UCFS 314-44	2-3/4													UC 314-44		